



Examination Light

CoolSpot II

The advanced healthcare lighting solution that fits both your space and your budget.

The aesthetically appealing CoolSpot II offers incredibly pure, white light along with a guaranteed no-drift arm, high-intensity setting, and variable spot size control. The CoolSpot II examination light is the spotlight of choice.

- Bi-level dimmer for variable intensity
- Variable spot size of 2" - 10" (5 cm - 25 cm)
- New, improved, and easy to clean housing design with convenient SteriHandle for positioning
- Removable, autoclavable center SteriHandle design allows removal or replacement of SteriHandle with one hand (for ensuring sterile procedures)
- Friction knob allows user to adjust friction on the self-balancing arm positioning to desired tension without a tool
- Assembled in the USA



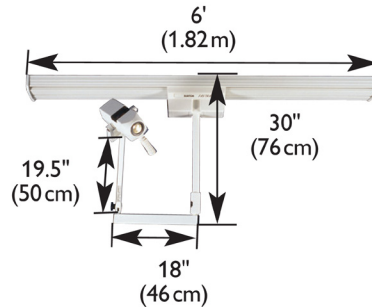
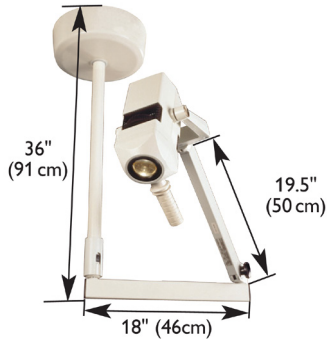
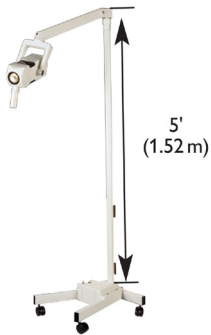
burton®

Summary of technical data

COOLSPOT II



Illuminance:	60,000 Lux at 1 meter (39.37")
Color Temperature:	4300 Kelvin
CRI (Color Rendering Index):	94
Dimming:	Bi-level dimmer for variable intensity
Light Source:	Halogen
Rated Life:	600-hour average bulb life on standard setting
Power:	150 Watts
Mounts:	Floorstand, Single Ceiling, Double Ceiling, Wall, Single Fastrac, Double Fastrac
Product Warranty:	5 Year Limited Warranty



Ordering Information

COOLSPOT II

120v Model	230/240v Model	230/240v SP Model*	100v Model	Description
CS316FL	CS325FL	C302FL25	CS315FL	Floostand
CS316SC	CS325SC	C302SC25	CS315SC	Single Ceiling Mount
CS316DC	CS325DC	C302DC25	CS315DC	Double Ceiling Mount
CS316W	CS325W	C302W25	CS315W	Wall Mount
CS316ST	CS325ST	C302W25	CS315ST	Single Fastrac Mount
CS316DT	CS325DT	C302W25	CS315DT	Double Fastrac Mount

*SP Model refers to Spanish Language Manuals.

ACCESSORIES

Model No.	Description
0007006PK	CoolSpot II Replacement Bulbs, 3/box
1008466B	CoolSpot II Handle Replacement
0008100PK	Light Handle Covers, Sterile, 25/box
1008259	42" Down Tube
1008060	Special length, max. 58" down tube



© 2022 Burton Medical. All rights reserved. Burton Medical reserves the right to make changes in specifications and/or to discontinue any product at any time without notice or obligation and will not be liable for any consequences resulting from the use of this publication.

burton®

Burton Medical, LLC
 2300 W Windsor Ct., Suite C
 Addison, IL 60101 USA
 Phone (800) 444-9909, Fax (800) 765-1770
 Burtonmedical.com